



by Rioned

ANDY GUEST  
**JETTERS**

# V-PACK 4 SERIES

The V-Pack 4 Series is the most powerful machine in our standard range. It is designed to clear almost any blockage with ease.



Despite its high output the V-Pack 4 Series is surprisingly compact and lightweight, sharing its design with the smaller three series. The unit has been specially designed by our engineers for increased performance levels without the need for a larger frame.

Suitable for sewers and drains up to  $\varnothing$  350mm

The V-Pack 4 Series is ideally suited to all domestic and commercial work and light industrial applications. With pressures of over 4000psi and flow rates of up to 120LPM, it is the ideal choice for the professional operator who demands the highest level of performance.

The V-Pack 4 Series is also available in 'Stack' configuration for use in dual purpose vehicles and we supply a comprehensive range of accessories for all applications.

Andy Guest Jetters produce their high-pressure jetting machines in accordance with machine directives (2006/42/EC), in conformance with the regulations of the following EEC directives: 2004/108/EC and the following harmonized European standards have been applied: NEN-EN-ISO 12100-1, NEN-EN-ISO 12100-2, NEN-EN-ISO 13850, NEN-EN-ISO 13857, NEN-EN-349, EN 60204-1.

Andy Guest Jetters Ltd

Unit 11, Riparian Way  
The Crossings Business Park  
Cross Hills, Keighley  
West Yorkshire BD20 7BW

Tel: + 44 (0) 3300 240 404  
[www.andyguestjetters.co.uk](http://www.andyguestjetters.co.uk)  
[info@andyguestjetters.co.uk](mailto:info@andyguestjetters.co.uk)

# V-PACK 4 SERIES



## UPGRADES + OPTIONS

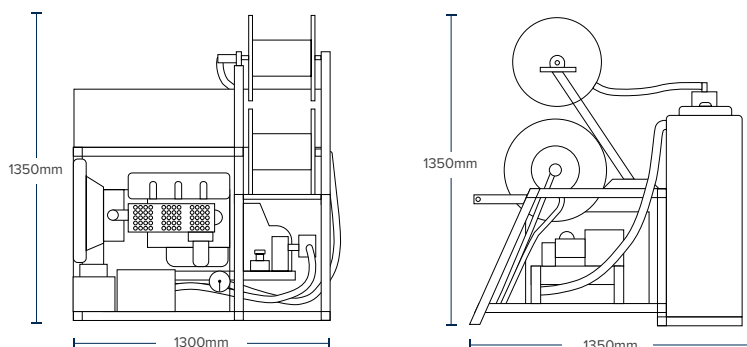
- ▶ Tank Capacity Upgrade (500, 650 or 800 Litres)
- ▶ Full Engine & Pump Cover
- ▶ Speck HP Pump Upgrade
- ▶ 5 Channel Radio Remote Control
- ▶ Hard Wired Foot Pedal
- ▶ Hose Guidance
- ▶ Run Dry Protection
- ▶ Lightweight Jetting Hose
- ▶ Leader Hose
- ▶ Mini Hose Kit
- ▶ Safety Lance
- ▶ Dry Shut Lance
- ▶ Nozzle Kit
- ▶ Hydraulic Root Cutter
- ▶ Warthog
- ▶ Chain Flail Kit
- ▶ Suction Ventury
- ▶ Hot Water System Upgrade

## TECHNICAL SPECIFICATION

<b>Pipework Diameter</b>	< 350mm
<b>Performance</b>	3625psi @ 13GPM (250BAR @ 60LPM)*
<b>Std Water Tank Capacity:</b>	400 Litres (88 Gallon)
<b>Engine</b>	4 Cylinder Diesel (Lombardini Kohler LDW2204)
<b>Engine Power</b>	44HP (32kW)
<b>HP Pump Type</b>	Triplex Plunger Pump
<b>Engine Cooling</b>	Water Cooled
<b>Run Dry Protection</b>	Not Included (Optional)
<b>Frost Protection</b>	Anti-Freeze Valve
<b>HP Reel</b>	Hydraulic Drive
<b>Hose Guidance</b>	Not Included (Optional)
<b>Hose</b>	90 Metres ½" Jetting Hose (300ft)
<b>Reel Arrangement</b>	Fixed Hose Reel
<b>Filling Hose</b>	25 Metres
<b>Control Box</b>	Yes
<b>Pressure Relief System</b>	Unloader Valve
<b>Remote Control</b>	5 Channel Radio Remote System or Foot Pedal
<b>Construction</b>	Compact Mild Steel Construction, Shot Blasted, Zinc Primed & Powder Coated
<b>Accessories Included</b>	2 Standard Nozzles, User Manual
<b>Approx. Dry Weight</b>	565KG
<b>Approx. Max Weight</b>	965KG (with standard 400 litre water tank)
<b>Dimensions (mm)</b>	1350 D x 1300 W x 1350 H (with standard water tank)
<b>Fuel Tank Capacity</b>	20 Litres
<b>Base Vehicle Suitability</b>	Ford Transit Transit, Vauxhall Movano, Mercedes Benz Sprinter, VW Crafter, Renault Master, Peugeot Boxer
<b>Warranty</b>	12 Months (Terms and conditions apply)

\*Other capacities are available

## DIMENSIONS + CONFIGURATION



<b>01</b>	High Pressure Hose & Reel	<b>12</b>	Anti-freeze suction pipe
<b>02</b>	Overflow pipe	<b>13</b>	Selector Valve
<b>03</b>	Water tank	<b>14</b>	Pump
<b>04</b>	Supply opening water tank	<b>15</b>	Hose guidance adapter
<b>05</b>	Inlet hose on reel	<b>16</b>	Drain
<b>06</b>	Hydraulic reel control	<b>17</b>	Hydraulic Oil tank
<b>07</b>	Throttle	<b>18</b>	Fuel tank with opening
<b>08</b>	Control box	<b>19</b>	Anti-freeze valve
<b>09</b>	Rotary joint	<b>20</b>	Hardwire remote socket
<b>10</b>	Pressure gauge	<b>21</b>	Emergency Stop
<b>11</b>	Water filter		

Andy Guest Jetters Ltd

Tel: + 44 (0) 3300 240 404

[www.andyguestjetters.co.uk](http://www.andyguestjetters.co.uk)

[info@andyguestjetters.co.uk](mailto:info@andyguestjetters.co.uk)